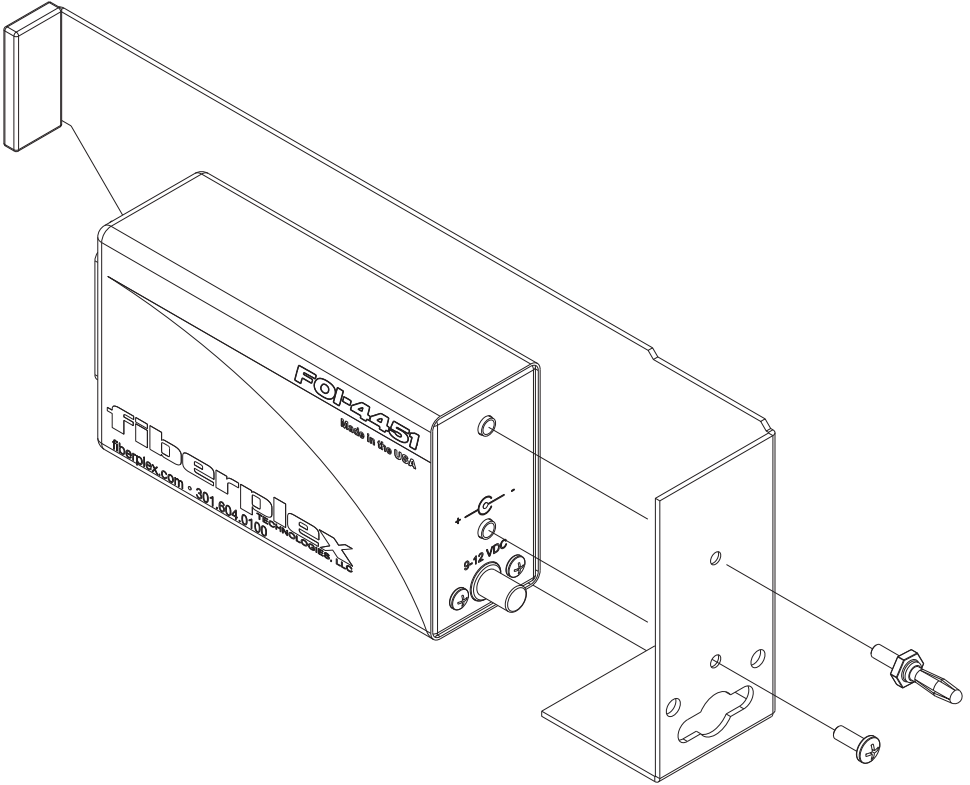


Installation Instructions

- 1) Locate the FOI to the CMA as shown;
- 2) Ensure the power connector is centered in the pass-through hole.
- 3) Attach using the #6 pan head screw (supplied). Do not tighten completely at this time.
- 4) Attach using the threaded banana plug (supplied), as shown; snug the plug down securely.
- 5) Snug the previously installed pan head screw. The mounting face of the FOI should be in uniform contact with the face of the CMA adaptor.



UMC3002
150717

USER MANUAL
Chassis Mount Adapter
CMA-2001 / CMA-3002

fiberplex
TECHNOLOGIES, LLC

18040-412 Guilford Rd. • Annapolis Junction, MD 20701
fiberplex.com • clients@fiberplex.com • 301.604.0100