

FAK-2982 SPEAKER PACKAGE

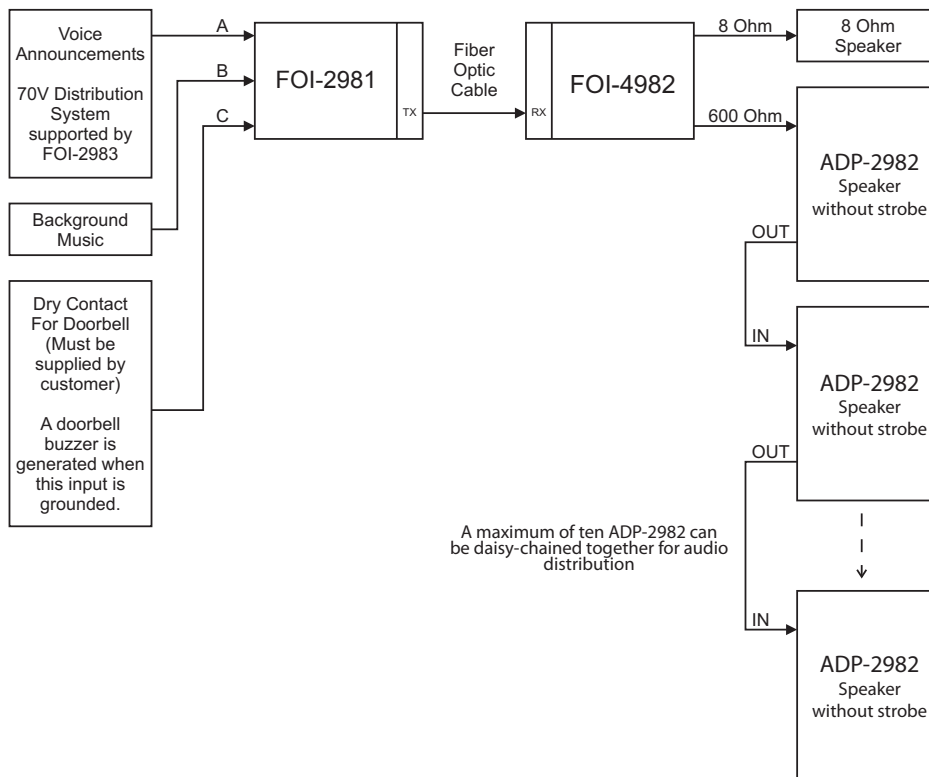


Description

A complete bundled package for Fire Alarm annunciation applications. Does not include warning strobe.

The unit can be used in areas of high electrical noise or in and out of RF shielded enclosures. The fiber optic cable is not susceptible to interference caused by impulse noise, crosstalk, or EMI. Privacy of communications is also enhanced because the fiber optic cable does not radiate any emissions. In addition, fiber optic cable offers much longer transmission distances than copper wiring. Multimode optics on the units can extend the distance to 2km.

Typical Application



Audio Accessories

Features:

Bundled Fire Alarm Kit Includes:

FOI-2981:

- Optical Transmitter
- 2 Audio Inputs
- 1 Doorbell Input

FOI-4982:

- Optical Receiver
- 2 Audio Outputs (8 Ohm and 600 Ohm)

ADP-2982:

- Amplified Speaker without Strobe

PSQ-2910:

- Power Supply for FOI-2981

WMA-3002:

- Wall Mount Adapter for FOI-2981

FC-VM2TT1-0-8:

- Fiber Cable, Multimode, Simplex, ST-ST, 8 meter

Specifications ADP-2982

Power Requirement	120/240 VAC, 50/60 Hz
Input Connector	RCA Type Phono Jack
Input Impedance	50 kΩ
Output Connector	RCA Type Phono Jack
Output Impedance	600 Ω
Output Signal Level	100 mV
Case Dimensions	11-1/2" (292mm) Wide x 11-1/8" (283mm) High x 4-1/16" (103mm) Deep
Weight	15 lb (6.8 kg)

Electrical Specifications FOI-2981-ST

Power Requirement	9 VDC @ 275 mA	
Frequency Response	100 Hz - 8 kHz ± 3 dB	
Input Level for A and B	Minimum	Maximum
	50 mV RMS	Audio inputs can be adjusted for high signal levels and clipping by turning the LEVEL adjustment counter-clockwise until the OVER-LOAD LED turns off.
Doorbell Operation for C	A doorbell buzzer is generated when this input is grounded.	
Priority Scheme	A (highest - overrides B and C) C (overrides B) B (lowest)	
Interface Connector A, B, and C	RCA Type Phono Jack	

Electrical Specifications FOI-4982-ST

Power Requirement	9 VDC @ 275 mA
AUDIO OUTPUT 8 OHM Interface Connector	2-Conductor 1/4" Enclosed Telephone Jack (Balanced Output)
AUDIO OUTPUT 600 OHM Interface Connector	RCA Type Phono Jack

Optical Characteristics FOI

Fiber	Size	Max Distance	Wavelength	Output Power
Multimode	62.5 / 125 μm	2 km	820 nm	-18 dBm

Physical Specifications FOI

Case Dimensions	Size2	length	width	height	weight
		4.5 in (114 mm)	1.312 in (33 mm)	2.562 in (65 mm)	2 lb (0.9 kg)

Specifications PSQ-2910

		minimum	typical	maximum	unit
Power Supply	Input Voltage	80	-	250	VAC
	Input Frequency	40	-	400	Hz
	Output Voltage	-	9	-	VDC
	Supply Current	-	1	-	A
	Output Power	-	9	-	W
Environmental	Storage Temperature	-40	-	85	°C
	Operating Temperature	0	-	50	°C
Case Dimensions		width	height	length	
	PSQ-2910 (Size 2)	1.312" (33mm)	2.562" (65mm)	2.25" (57mm)	
	PSQ-3910 (Size 3)	1.453" (40mm)	3.188" (81mm)	2.375" (60mm)	
	PSQ-4910 (Size 4)	1.453" (40mm)	2.562" (65mm)	2.25" (57mm)	

Ordering Info

FAK-2982-ST - Bundled Fire Alarm Kit with ST optics