

FOM-3841 and FOM-3842

FIBER OPTIC MODULE



Telephone

4-Channel Telephone-To-Fiber

Features

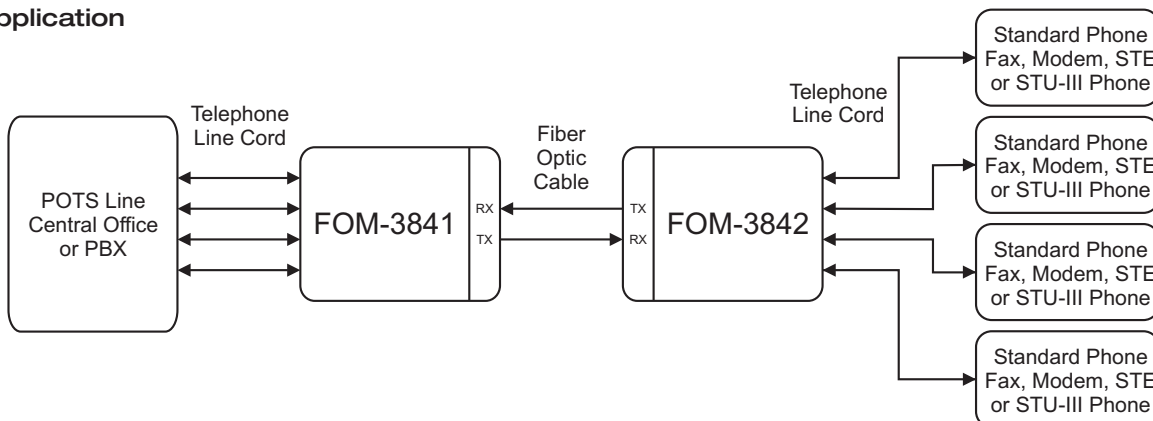
- 4 Channel Telephone to Fiber Module
- Typical Applications Include:
 - Standard POTS Telephones
 - STU-III and STE Phones
 - Fax Machines
 - Modem

Description

The FOM-3841 and FOM-3842 provide complete electrical isolation for four independent channels of 2-wire telephone communications. The FOM-3842 supports standard analog phones, STU-III (secure telephone unit) phones, STE (secure telephone equipment) phones, fax machines, and modems and supports Caller ID.

The units can be used in areas of high electrical noise or in and out of RF shielded enclosures. The fiber optic cable is not susceptible to interference caused by impulse noise, crosstalk, or EMI. Privacy of communications is also enhanced because the fiber optic cable does not radiate any emissions. In addition, fiber optic cable offers much longer transmission distances than traditional telephone line cord wiring. Multimode optics on the units can extend the distance to 2km, while singlemode optics can further extend the distance to 20km. A typical link consists of an FOM-3841 connected to the POTS line and an FOM-3842 at the subscriber's phone with a duplex fiber optic cable between them.

Typical Application



Specifications

		Min	Typ	Max
Power Requirement	Voltage Range (V)	20	24	34
	Supply Current (mA)	-	400	600
Audio	Input Level (dBm)	-	-	5
	Load Impedance (Ω)	-	600	-
	Frequency Response (± 3 dB) (Hz)	200	-	8k
Environmental	Storage Temperature ($^{\circ}$ C)	-40	-	85
	Operating Temperature ($^{\circ}$ C)	0	-	50
Interface Connector				RJ-45 (x4)

Physical Specifications

Card Dimensions	Length	Width	Height	Weight
	11.25 in (286 mm)	0.825 in (21 mm)	5..25 in (133 mm)	10 oz (0.3 kg)

Optical Characteristics - All

Order Suffix	Fiber	Fiber Type*	Max Dist (km)	λ (nm)	Bandwidth Typ (dB)	Loss (dB)	Connector
T12	Multimode	OM2	1.88	850	15.5	10.14	ST
L12	Multimode	OM2	1.88	850	14.5	10.14	LC
T5B	Singlemode	OS1, OS2	20	1310	20	12.5	ST
L5B	Singlemode	OS1, OS2	20	1310	13.5	12.5	LC
C	SFP Cage with no Optical Module Installed						

* Specs obtained assuming fiber is as described in 'Fiber Type' with a 266MB Data Rate

Accessories

RMC-5000	16 slot, 7.5" high (5U), 19" wide rack mount chassis Includes one PSM-5000 AC power supply
RMC-5000D	16 slot, 7.5" high (5U), 19" wide rack mount chassis Includes one PSM-5048 DC power supply
PSM-5000	RMC-5000 AC redundant power supply, 90-250 VAC input, 250W
PSM-5048	RMC-5000 DC redundant power supply, 35-56 VDC input, 250W
SAC-1AC	Single slot stand-alone chassis, 90-250 VAC or 120-370 VDC input, 15W
SAC-1DC	Single slot stand-alone chassis, DC input

Ordering Information

FOM - 3841 -

Optical Interface:

T12 = multimode, 850nm, 2km, ST
 L12 = multimode, 850nm, 2km, LC
 T5B = singlemode, 1300nm, 20km, LC
 L5B = singlemode, 1300nm, 20km, LC
 C = SFP cage, no optical module

Other Optical interfaces available on our custom Catalog

Model:

3841 = connection to exchange side
 3842 = connection to instrument side

For special applications that require custom units, please call FiberPlex for more information.