

4

3

2

1

D

D

C

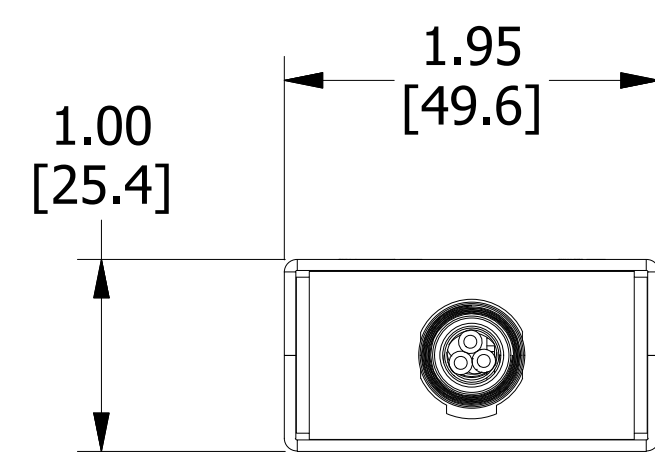
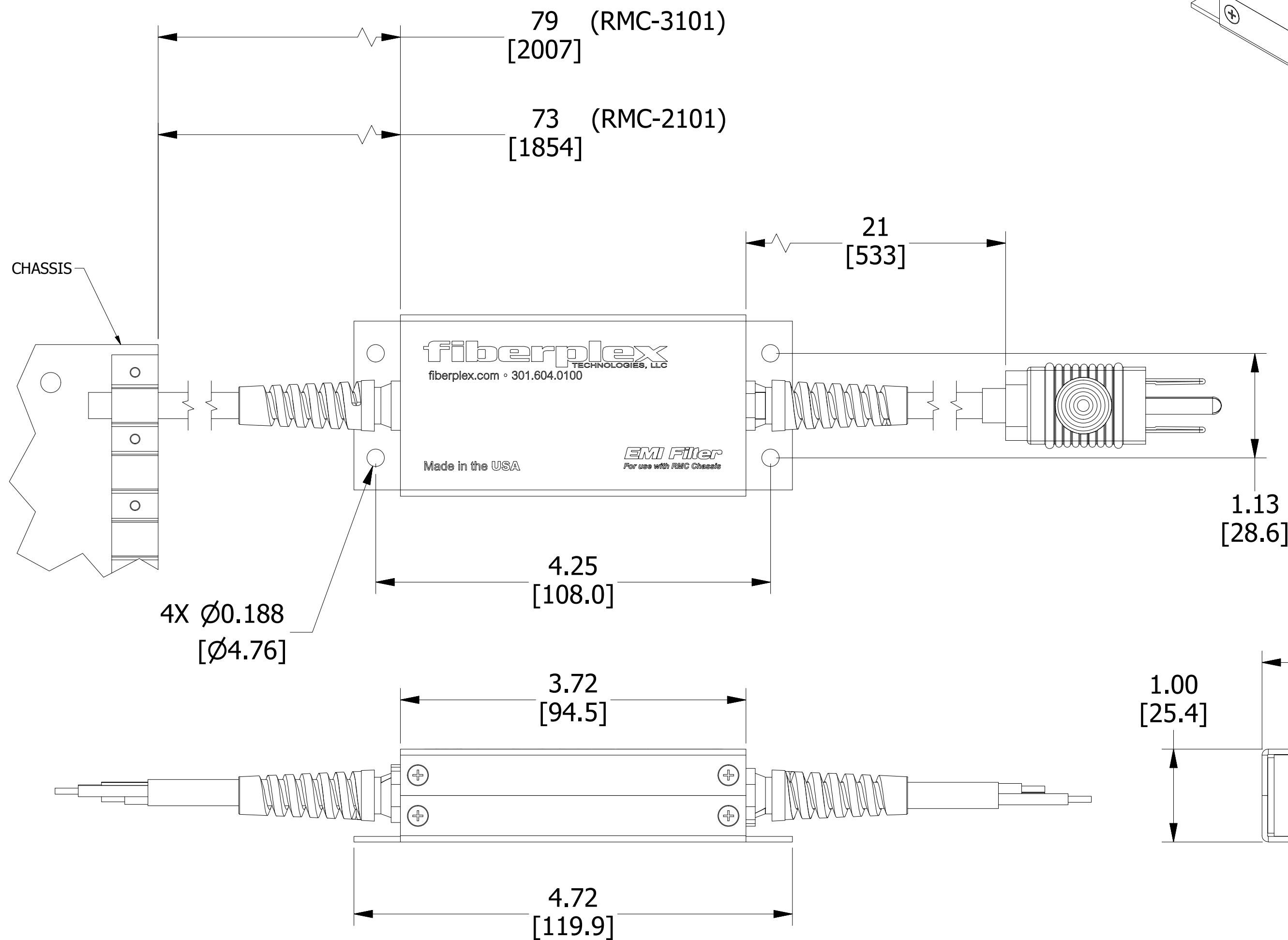
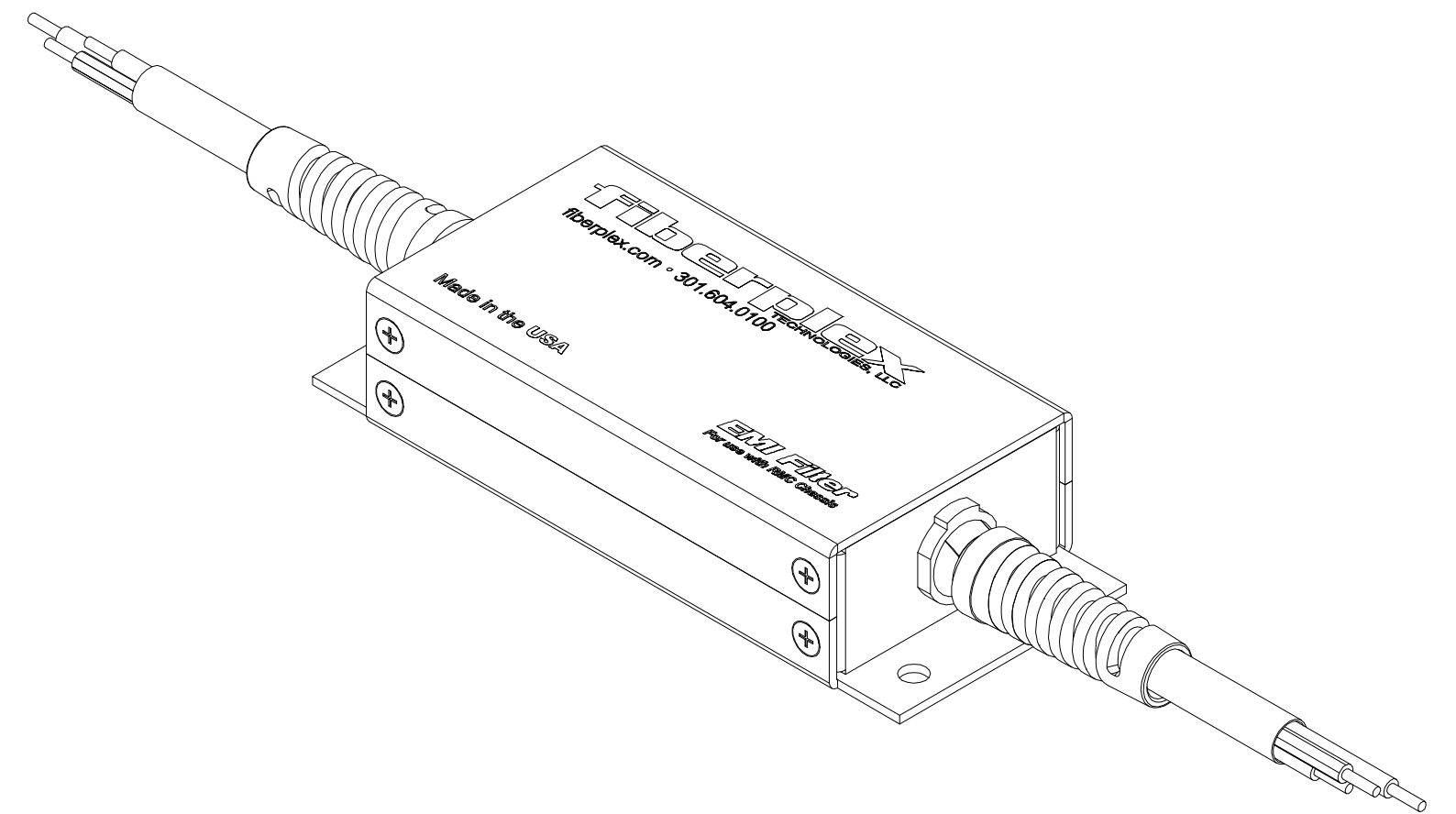
C

B

B

A

A



Unless otherwise specified	Engineer: A. Zahn	Date: 1/24/2017	<b>fiberplex</b> TECHNOLOGIES, LLC
Dimensions in inches	Drawn: A. Zahn	Date: 1/24/2017	
Tolerances:	Review:	Date:	Customer Drawing, EMI Filter
Fraction +/- 1/64	Checked:	Date:	
x.xx +/- 0.01	Revised:	Date:	SIZE: C Rev: ~
x.xxx +/- 0.005			Scale: 1 : 1 Sheet 1 of 1
Material:			
N/A			
Finish:			
N/A			

4

3

2

1