

fiberplex
TECHNOLOGIES, LLC

USER MANUAL

TD-Series DIN Rail Mount

TD-DINR

General Installation Instructions

Please consider these general instructions in addition to any product-specific instructions in the "Installation" chapter of this manual.

Unpacking

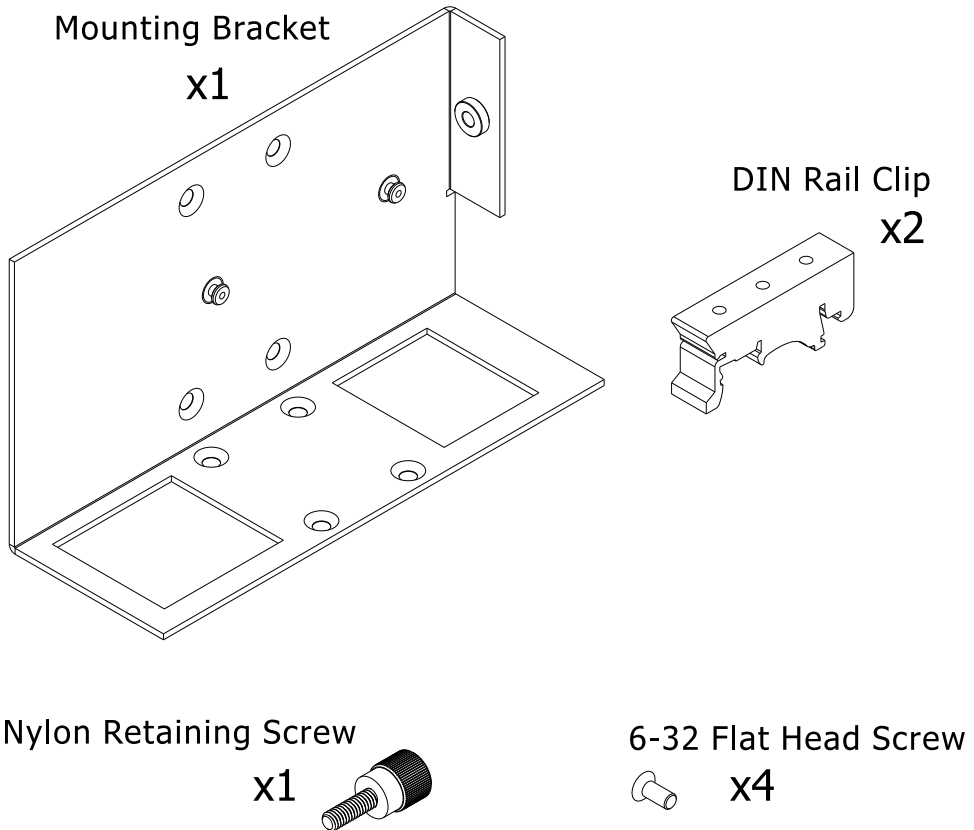
Check the equipment for any transport damage. If the unit is mechanically damaged, if liquids have been spilled or if objects have fallen into the unit, it must not be connected to the AC power outlet, or it must be immediately disconnected by unplugging the power cable. Repair must only be performed by trained personnel in accordance with the applicable regulations.

Warranty, Service and Terms and Conditions of Sale

For information about Warranty or Service information, please see our published 'Terms and Conditions of Sale'. This document is available on fiberplex.com, or can be obtained by requesting it from clients@fiberplex.com or calling 301.604.0100.

Hardware Contents

The following hardware parts are included to facilitate all of the possible mounting options for the TD-DINR. Please inspect your package to ensure all pieces are available:



Introduction

The FiberPlex TD-DINR is a specialized Mounting Bracket intended to mount a single FiberPlex TD-Series unit onto DIN rail conforming to standard EN 50022 (top hat sections only). Either 35 x 7.5mm or 35 x 15mm section DIN rail will be compatible with this device.

Possible mounting configurations are:

- Flat mounting, the lower profile but wider rail signature
- Or
- Edge mounting, the higher profile but narrower rail signature

Key Features

- Tool-less DIN rail attach/detach
- Tool-less TD unit mount/dismount
- Mounting configuration requires no alteration of the chassis
- Provision is made for cooling airflow

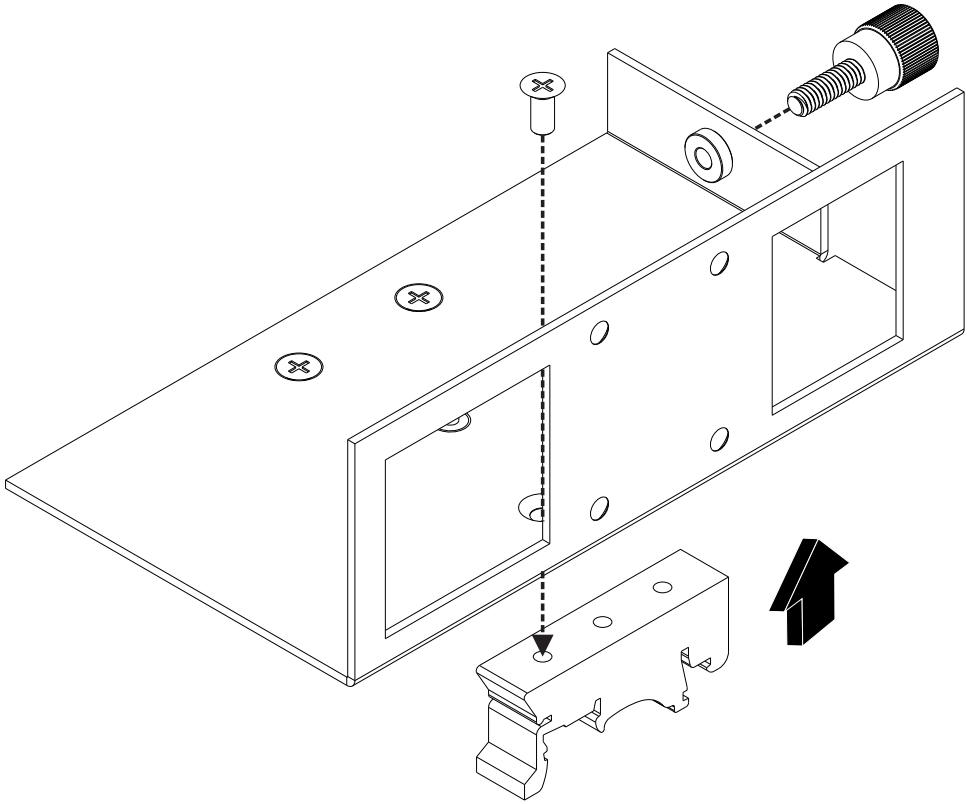
Getting Started

Initial Inspection

Immediately upon receipt, inspect the shipping container for damage. The container should be retained until the shipment has been checked for completeness and the equipment has been checked mechanically and electrically. If the shipment is incomplete, if there is mechanical damage, or if the unit fails to operate notify FiberPlex and make the shipping materials available for the carrier's inspection.

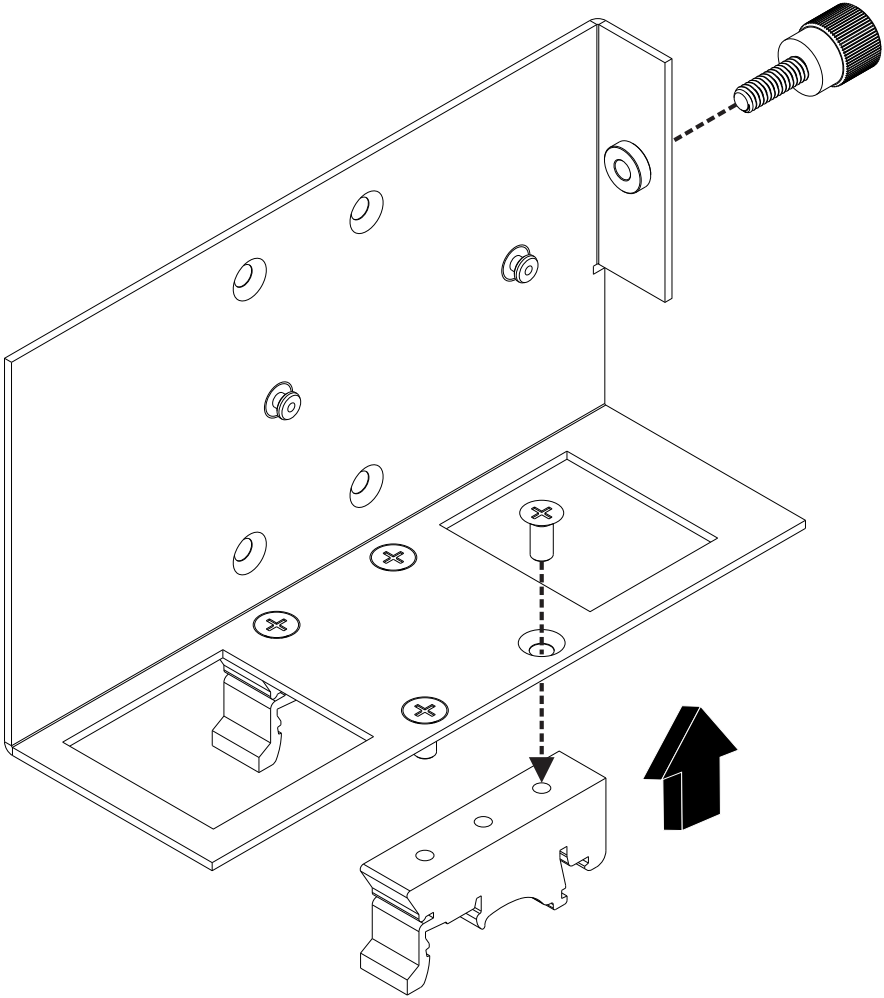
Configuring for Flat Mounting

- 1) Install the (2) DIN Rail Clips on the wide surface of the Mounting Bracket as shown using the Flat Head Screws
- 1) Install the Nylon Retaining Screw into to the threaded bushing on the small tab as shown



Configuring for Edge Mounting

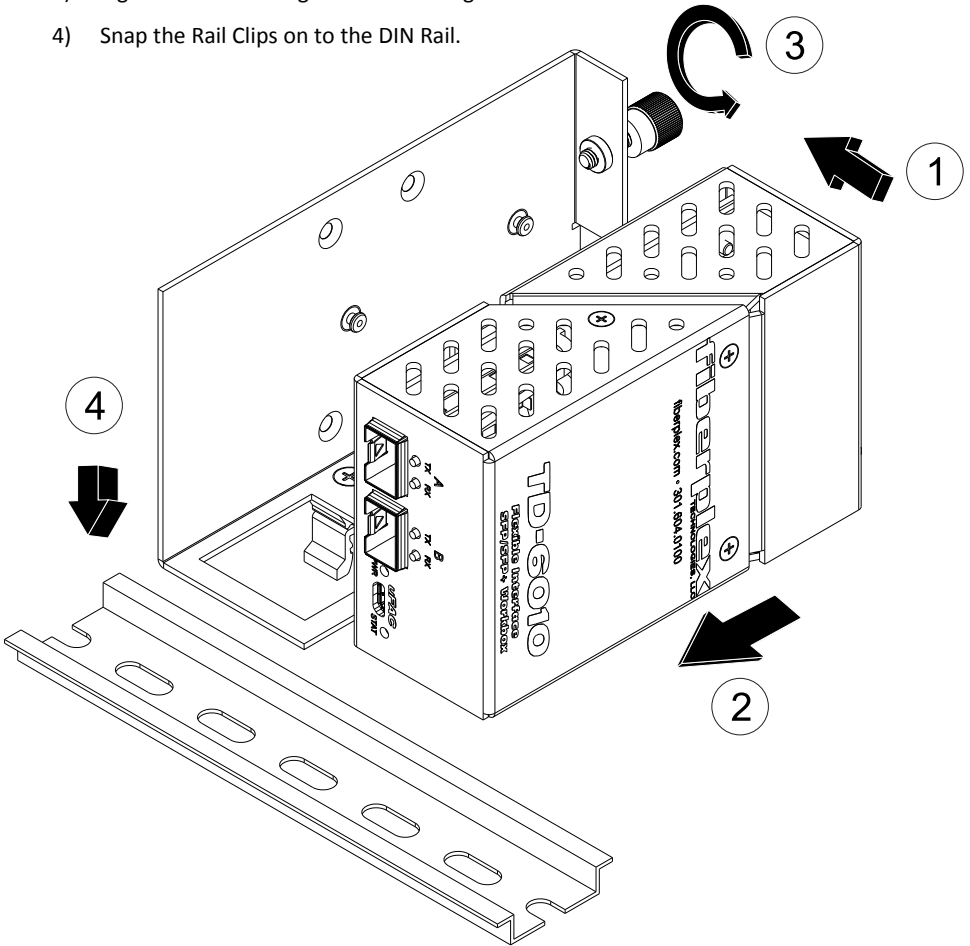
- 2) Install the (2) DIN Rail Clips on the narrow edge of the Mounting Bracket as shown using the Flat Head Screws
- 3) Install the Nylon Retaining Screw into to the threaded bushing on the small tab as shown



Mounting the TD Module

Mount the TD unit in the same manner regardless of the initial configuration of the mount itself or the height of top hat DIN rail utilized (35 x 7.5 or 35 x 15mm). The edge mounting solution happens to be shown below. All fasteners necessary for configuration and mounting are included.

- 1) Line up key hole on the bottom of the TD Module with the studs on the Mounting Bracket and push flat against the plate.
- 2) Slide the TD module forward until it stops.
- 3) Tighten the Retaining Screw until snug.
- 4) Snap the Rail Clips on to the DIN Rail.



Specifications

All units are Inches [mm]

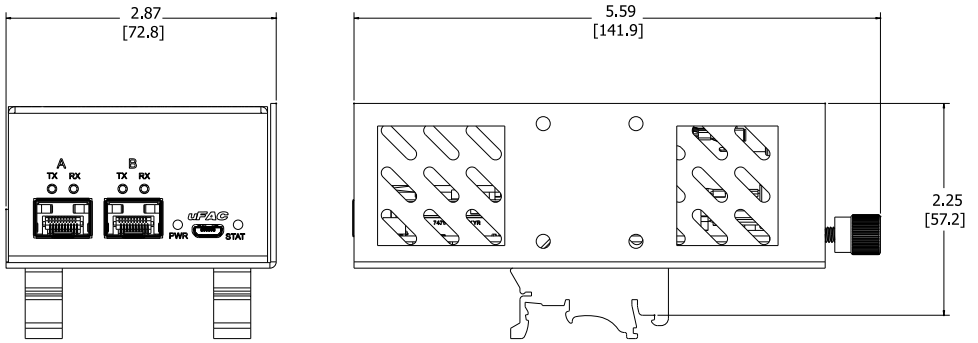


Figure 2 Dimensions for Flat Mount Configuration

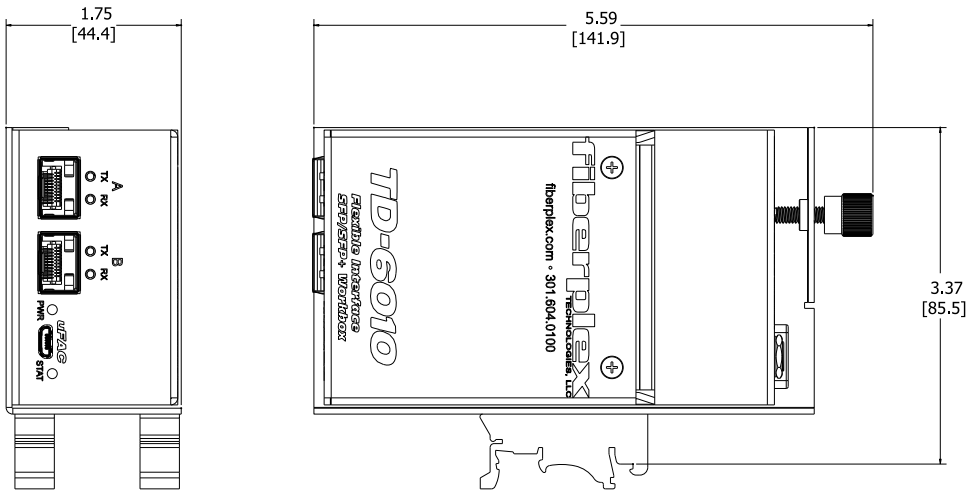


Figure 1 Dimensions for Edge Mount Configuration



18040-412 Guilford Rd. • Annapolis Junction, MD 20701
fiberplex.com • clients@fiberplex.com • 301.604.0100

UMTDDIN
150107