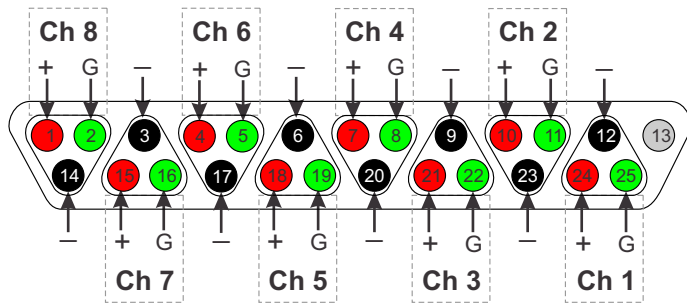
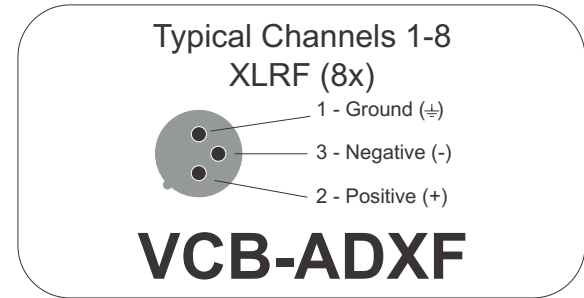


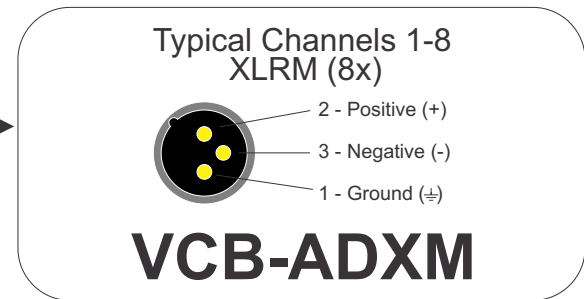
Channels 1-8



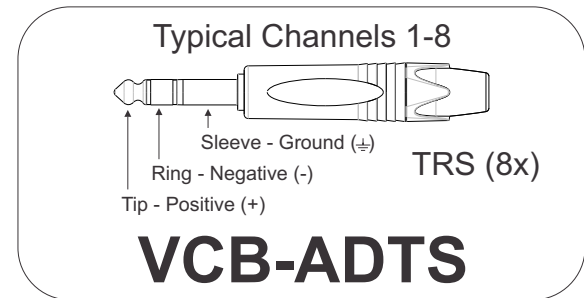
8 Channel Analog Cable (1) D-25M



OR



OR



ENGR.	HSO III	DATE:	01/17/2012	 10840-412 Guilford Rd • Annapolis Junction, MD 20701 301.604.0100 • fiberplex.com
DRAWN	HSO III	DATE:	01/17/2012	
REVIEW		DATE:		
CHECKED		DATE:		
Pinout Drawing for VCB Analog Cables				
FSCM:		A	DWG	REV: -
SCALE: 1:1		SHEET 1		OF 1